

KLIXON | ESS Series

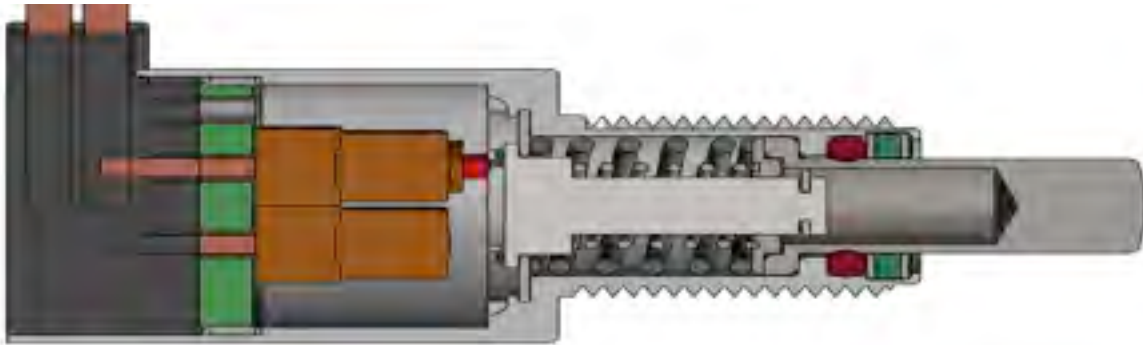
Environmentally Sealed Position Switches

FEATURES

- Meet M8805 level 4 performance requirements
- Single and multi-pole high performance switch packages available
- Various plunger and roller type switches available as standard or custom solutions
- Switching available with AC or DC ratings from .01 amps to 10 amps
- Custom solutions offered with short lead-times

INTRODUCTION

The Klixon® ESS Series of precision limit switches are environmentally sealed to M8805 level 4, and are our most economical precision limit switch solutions. Most package designs include a glass to metal seal and use military qualified basic switches. With this ESS series we continue the practice of offering a wide range of standard package solutions and can quickly offer a customized solution for your specific application needs.



DIMENSIONAL DRAWINGS

