

# RXC14 SERIES

High Voltage Contactors

**150A** CONTINUOUS DUTY

**900V** SYSTEM VOLTAGE



## FEATURES

SPST Normally Open High Voltage Contactors

- Hermetic seal with gas fill
- High temperature performance
- Meets RoHS 2011/65/EU
- CE certified
- IEC60947-5-1 compliant



**PERFORMANCE**

TABLE 1. SPECIFICATIONS			
CHARACTERISTIC		MEASURE	
Contact Arrangement		Form X, SPST NO	
Max Switching Voltage		900 VDC	
Dielectric Withstand Voltage Contacts to Coil		2,200 VAC, 1 minute	
Dielectric Withstand Voltage Across Open Contacts		4,000 VDC, 1 minute	
Continuous Current (35mm <sup>2</sup> conductor)		100A	
Overload Current	30 seconds	1000A	
	3 Minutes	400A	
Make and Break		See table	
Max Short Circuit Current -1 second		1,500 A	
Min Insulation Resistance		1,000 Mohm @ 1,000V	
Contact Voltage Drop (Max)		80mV @ 100A	
Operate Time (Max, incl bounce)		25ms	
Release Time (Max)		10ms	
Shock - Functional, 1/2 Sine, 11ms		20G	
Shock – Destructive, 1/2 Sine, 11ms		50G	
Operating Temperature		-40°C to 85°C	
Ingress Protection		Exceeds IP69, (Hermetically sealed)	
Mechanical life		300,000	
AUXILIARY CONTACTS		MEASURE	
Contact Arrangement		SPST	
Continuous Current		2A	
Minimum Current		100mA @ 8V	
COIL @ 20°C		MEASURE	
Nominal Voltage		12V	24V 48V
Pick-up Voltage (Max)		8.5 VDC	17.0 VDC 38.4 VDC
Drop-out Voltage (Min)		0.6 VDC	0.9 VDC 3.3 VDC
Holding Current		0.46A	0.25A 0.12A
Coil Resistance +/- 5%		26Ω	100Ω 392Ω
Coil Power		5.5W	5.8W 6W

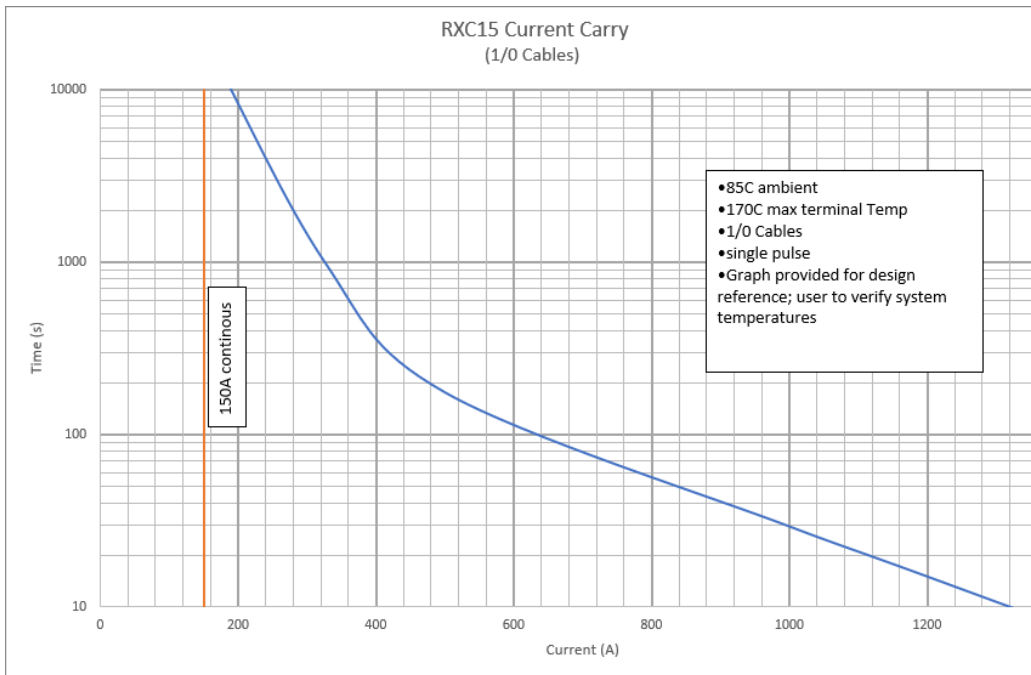


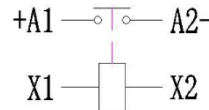
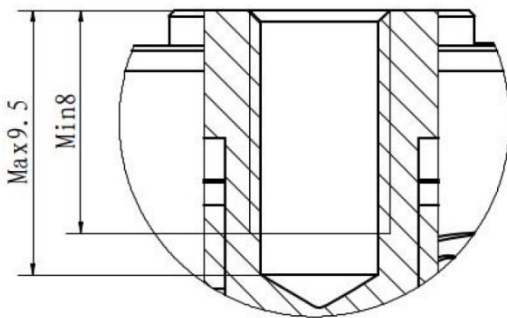
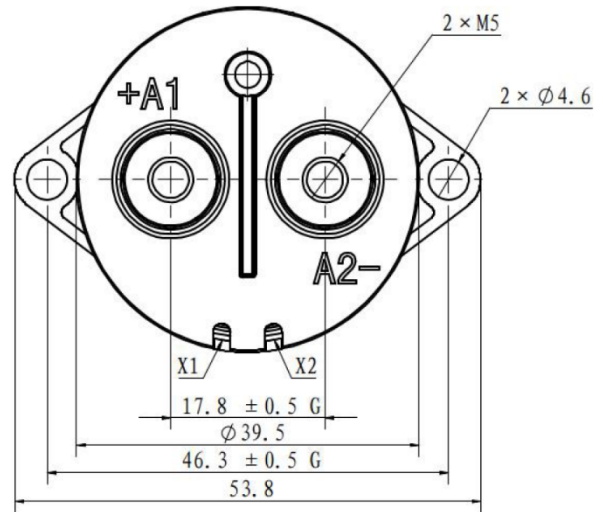
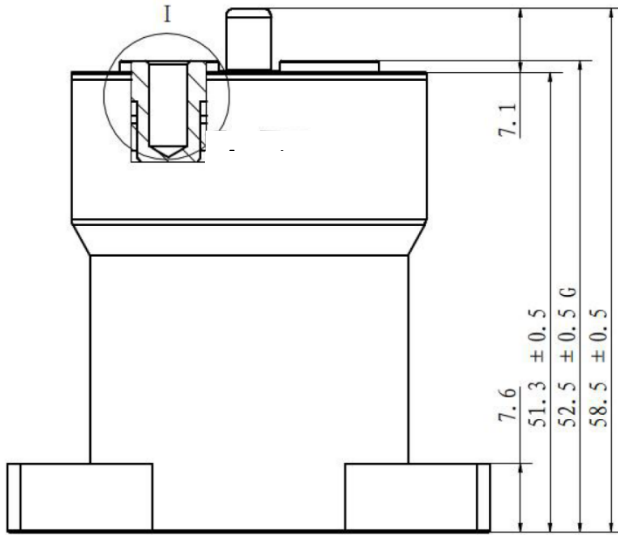
TABLE 2. RESISTIVE LOAD SWITCHING (MAKE / BREAK DATA)		
POLARITY SENSITIVE VERSION		CYCLES (1 cycle = 1 make + 1 break)
VOLTAGE	CURRENT	
750V	20A	20,000
750V	100A	500
900V	100A	100
450V	100A	3,000

**OPTIONS**

**TABLE 3. PRODUCT NOMENCLATURE**

		MOUNTING	COIL	AUXILIARY CONTACTS
<b>RXC14</b>	<b>P</b> Polarity Sensitive	<b>1</b> Bottom Mount	<b>A</b> 12V single coil	<b>X</b> None
			<b>B</b> 24V single coil	
			<b>C</b> 48V single coil	

**PRODUCT DIMENSIONS [mm]**



**TABLE 4. DIMENSIONAL AND INSTALLATION**

CHARACTERISTIC	MEASURE
Weight	185g (0.41 lb)
Mounting Position	Any / Not Position Sensitive
Package Quantity	30
Install Torque M5 Main Terminals	3-4Nm (26-36 in-lb)

**NOTES**

- Polarity Sensitive versions are marked +A1 and -A2 for the power terminals. For applications that require the contactor under load, please ensure current is flowing from the +A1 to the -A2 terminal when breaking/opening under load For Bi-Directional versions the direction of current does not matter when breaking under load
- Attached cables and busbars directly to the main terminal pad using the recommended install torque. Do not use washers or other materials between the contactor and the conductor. This will ensure the lowest possible contact resistance
- Avoid excessive coil voltages. Exceeding the ratings on the datasheet may result in high coil temperature and coil failure
- Contactor may be used above Max Switching Voltage if the application does not require significant load breaking. Please contact Rincon Power to discuss in more detail