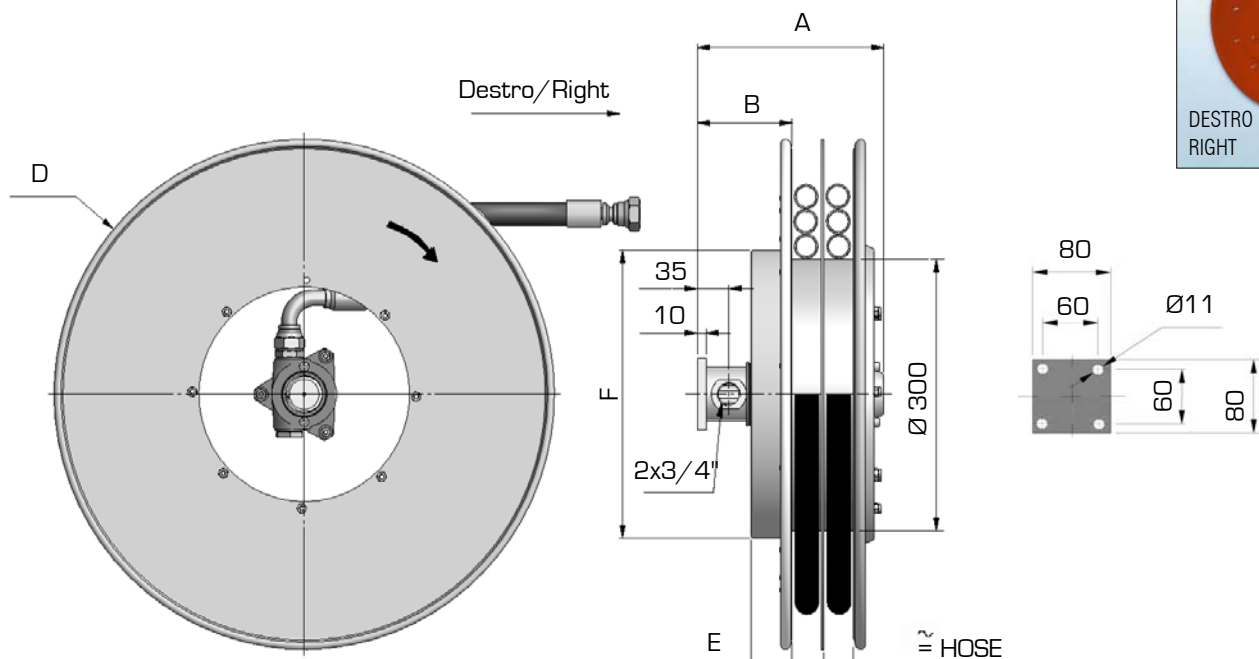
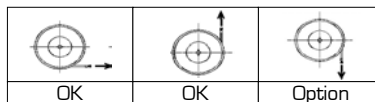


141.1
**MAX
80 l/min**
**W. P.
350 bar**
**MAX HOSE SPEED
30 m/min**


A2D 420 = MODELLO DESTRO / RIGHT MODEL
 A2S 420 = MODELLO SINISTRO / LEFT MODEL
 Es. ORD. A2D 470.19.12.1SN

| Modello destro Right model | A | B | D | E | F | Ø | Con tubo - with hose 1SN / 2SN | | Con tubo - with hose 4SP | |
|-------------------------------|-----|-----|-----|----|-----|------|--------------------------------|---------------|--------------------------|---------------|
| | | | | | | | Lungh.totale | Lungh.utile | Lungh.totale | Lungh.utile |
| | | | | | | | Total length | Usable length | Total length | Usable length |
| | mm | | | | | | m | m | m | m |
| A2D420.19.12.XX | 212 | 108 | 420 | 47 | 322 | 1/2" | 2,6 | 2,1 | 2,6 | 2,1 |
| 5/8" | | | | | | 2,6 | 2,1 | 2,6 | 2,1 | |
| 3/4" | | | | | | 2,6 | 2,1 | 1,8 | 1,3 | |
| A2D470.19.12.XX | 212 | 108 | 478 | 47 | 322 | 1/2" | 4,5 | 4,0 | 4,0 | 3,5 |
| 5/8" | | | | | | 4,0 | 3,5 | 4,0 | 3,5 | |
| 3/4" | | | | | | 4,0 | 3,5 | 3,0 | 2,5 | |
| A2D520.19.12.XX | 212 | 118 | 520 | 57 | 422 | 1/2" | 5,5 | 5,0 | 5,5 | 5,0 |
| 5/8" | | | | | | 5,5 | 5,0 | 4,5 | 4,0 | |
| 3/4" | | | | | | 4,2 | 3,7 | 4,2 | 3,7 | |
| A2D570.19.12.XX | 212 | 118 | 570 | 57 | 422 | 1/2" | 7,2 | 6,7 | 7,2 | 6,7 |
| 5/8" | | | | | | 7,2 | 6,7 | 6,0 | 5,5 | |
| 3/4" | | | | | | 5,9 | 5,4 | 5,9 | 5,4 | |
| A2D600.19.12.XX | 222 | 128 | 620 | 67 | 422 | 1/2" | 9,5 | 9,0 | 9,0 | 8,5 |
| 5/8" | | | | | | 9,2 | 8,7 | 7,5 | 7,0 | |
| 3/4" | | | | | | 7,6 | 7,1 | 7,3 | 6,8 | |
| A2D650.19.12.XX | 222 | 128 | 650 | 67 | 532 | 1/2" | 10,5 | 10,0 | 10,5 | 10,0 |
| 5/8" | | | | | | 10,0 | 9,5 | 9,0 | 8,5 | |
| 3/4" | | | | | | 7,6 | 7,1 | 7,3 | 6,8 | |
| A2D700.19.12.XX | 222 | 128 | 720 | 67 | 532 | 1/2" | 15,0 | 14,5 | 13,0 | 12,5 |
| 5/8" | | | | | | 13,4 | 12,9 | 11,5 | 11,0 | |
| 3/4" | | | | | | 10,0 | 9,5 | 10,0 | 9,5 | |
| A2D800.19.12.XX | 222 | 128 | 820 | 67 | 532 | 1/2" | 20,0 | 19,0 | 17,0 | 16,0 |
| 5/8" | | | | | | 16,0 | 15,0 | 16,0 | 15,0 | |
| 3/4" | | | | | | 14,5 | 13,5 | 14,0 | 13,0 | |