

Capsule Slip Ring LPC-24S

This unit can be used in any electromechanical system that requires unrestrained, continuous rotation while transferring power or data from a stationary to a rotating structure.

The LPC-24S capsule slip ring is a standard, off-the-shelf unit that uses gold contacts at the rotary interface. Color-coded lead wires are used on both the stator and rotor for simplifying electrical connections. Using a 90° V-groove ring design for each ring, the LPC-24S provides smoother running, lower torque and lower electrical noise than competitive slip rings. It is available in 6, 12, 18 circuit modes. IP54.



Specifications

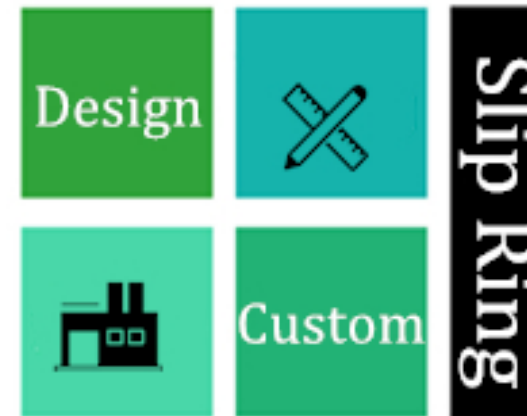
Operating Speed	0-300 rpm
Number of Circuits	24
Voltage	240 VAC/DC
Current Rating	2A each circuit
Temperature Range	-20°C to +60°C
Contact Material	Gold to Gold
Lead Wire Size	AWG30# Teflon UL, coaxial cable, video cable, and Ethernet cable
Lead Wire Length	Rotor: 250mm; Stator: 250mm
Dielectric Strength	≥500 VAC @50Hz, between each circuit
Housing material	Aluminum alloy
Working humidity	60% or higher
Torque	≤0.88 g·m (for reference)
Electrical noise	≤35mΩ

Capsule Length

# of Circuits	L (mm)	Part No
24	43.5	LPC-24S

- ◆ The operating life of the unit depends upon temperature, rotation speed and environment.
- ◆ The operating life ≥50,000,000 runs ref.

Features



- ✓ 24 circuits models
- ✓ 2 amps per circuit ,240VAC/DC
- ✓ Speed up to 300 rpm continuous
- ✓ Gold-gold contacts
- ✓ Compatible with data bus protocols
- ✓ Sealed units are also available
- ✓ Flexible, color-coded, silver-plated, nsulated lead wires
- ✓ Transfer analog and digital signals
- ✓ Also available with 5 and 10 amps power rings combined with 2 amps rings.
- ✓ Precision ball bearings meet or exceed life requirements for most commercial applications

Applications

- ✓ Electrical test equipment
- ✓ Manufacturing and process control equipment
- ✓ Indexing tables
- ✓ CCTV pan / tilt camera mounts
- ✓ Robotics, rotary sensors, urgent illumination equipmen
- ✓ Exhibit / display equipment/Closed-circuit control
- ✓ Aviation ,military ,instrument, medical equipment.
- ✓ Min-type wire-rolling machine / Wind turbine generator





TEMPERATURE RANGE
-20° C to 60° C



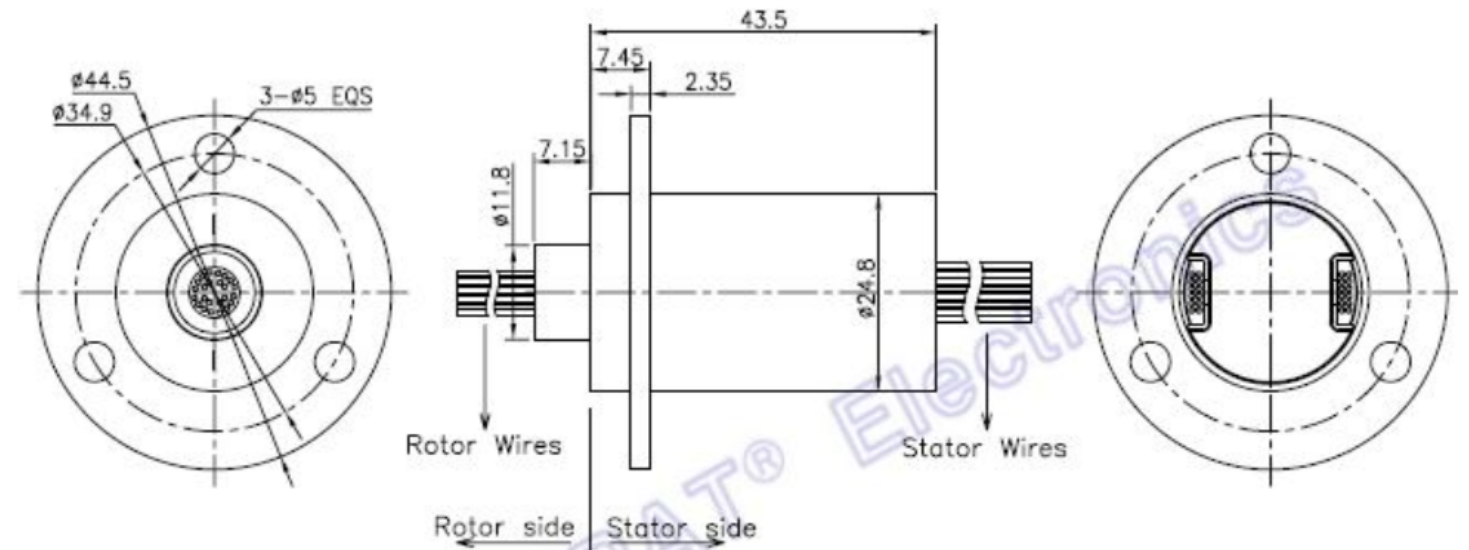
MAXIMUM OPERATING SPEED
0-300 RPM

Advantage



- ✓ Low torque minimize system torque budget
- ✓ Compact design to fit in the most demanding space.
- ✓ Smooth running
- ✓ Low electrical noise
- ✓ Quick shipment per your urgent requirement
- ✓ 360 continuous rotation
- ✓ High bandwidth transfer capability
- ✓ Addition of special components
- ✓ Quick shipment

Drawings



MESSAGE

Any questions about slip ring, please leave your message to get a professional solution

PRODUCT CATEGORY	REQUESTS	INDUSTRIES
FORJ Capsule slip ring Through bore slip ring Pancake slip ring Mercury slip ring Separate slip ring Miniature slip ring Wind turbine slip ring Hydraulic slip ring Pneumatic slip ring Coaxial rotary joints	Circuits Current&voltage Signal details Dimension Working speed Working temperature Operating Environment Other	Surveillance Crane Medical Marine Defence Radar antenna Automation Meter and instrument Wind turbine generator VR Device Other

Wire Color Code								
Wire Size	Ring #	Color	Ring #	Color	Ring #	Color	Ring #	Color
AWG17# silver plated copper Teflon UL	#1	BLK	#2	BRN	#3	RED	#4	ORG
	#5	YEL	#6	GRN	#7	BLK-BLU	#8	PUR
	#9	GRAY	#10	WIT	#11	PINK	#12	AZURY
	#13	WIT/BLK	#14	WIT/BRN	#15	WIT/RED	#16	WIT/ORG
	#17	WIT/YET	#18	WIT/GRN	#19	WIT/BLU	#20	WIT/PUR
	#21	WIT/GRAY	#22	CLAR	#23	BLK-RED	#24	BLK/BRN

Remarks: 1. AWG28# silver plated copper Teflon UL, 24 different color single wires for a circle
 2. #1 from rotor side (The color if the wire can be changed).

Contact us on wire color codes

