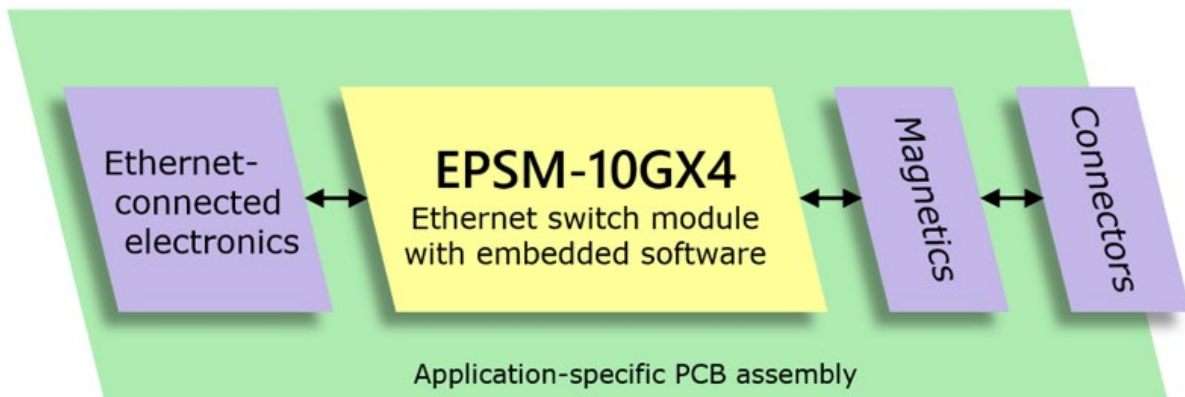


EPSM-12G2F 26-Port Miniature Rugged Managed Ethernet Switch Module

◆ Description

EPSM-12G2F is a managed Ethernet switch module in an ultra-compact 2.2" x 3.3" (55 x 84mm) size offering 24 10/100/1000Mbps copper ports and 2 1-2.5Gbps SFP ports. It supports an embedded software package offering a full suite of Layer 2 managed Ethernet switching capabilities. The module is intended to be used on a carrier board to implement a complete Ethernet switching solution. The core Ethernet switching technology is almost fully encapsulated on the module; for many applications, only the "last inch" of magnetics and I/O connectors is required to complete the circuit, enabling easy development of custom form factor compact, rugged Ethernet switch solutions.



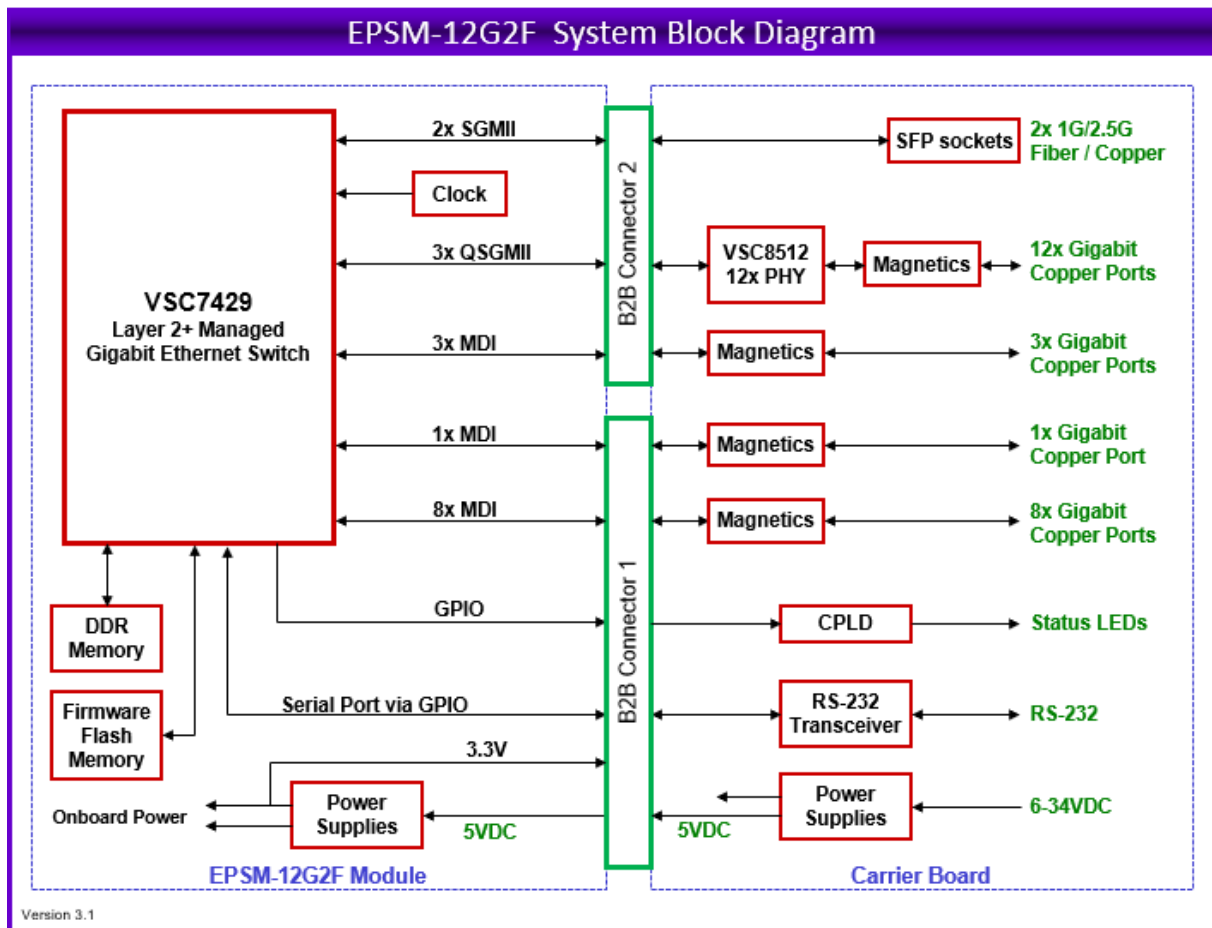
EPSM-12G2F offers compelling advantages over in-house designed Ethernet switches requiring mid-range software features:

- Small size fits into robots, drones, and other applications where size and weight are critical
- Rugged design and wide temperature capability are ideal for vehicle applications where high levels of shock and vibration are present
- Off the shelf solution significantly reduces development time and risk
- Built-in embedded software provides the most popular managed switch features, all configurable via web or serial port interfaces, eliminating the need for any software development

[Back to top](#)

◆ Block Diagram

The block diagram below shows the EPSM-12G2F module in a typical application.



[Back to top](#)

◆ Embedded Software

EPMS-12G2F includes the feature-rich WebStaX Layer 2 managed Ethernet switch software. The table below shows some of the more popular features included. For a complete list of features, [click here](#).

8K MAC addresses and 4K VLANs (IEEE 802.1Q)

8K IPv4 and IPv6 multicast group support

Jumbo frame support at all speeds

Flexible link aggregation support based on Layer-2 through Layer-4 information (IEEE 802.3ad)

Multicast and broadcast storm control, as well as flooding control

Rapid Spanning Tree protocol (RSTP) and MSTP

Multiple protocol support: IEEE 802.1d, IEEE 802.1w, IEEE 802.1s, and IEEE 802.1X

8 priorities and 8 QoS queues per port with scheduling

DIAMOND SYSTEMS EPSM-12G2F™ Gigabit Ethernet Switch
Software version w3.67-v1.0.0

- Configuration
- Monitor
 - System
 - Green Ethernet
 - Thermal Protection
 - Ports
 - State
 - Traffic Overview
 - QoS Statistics
 - QCL Status
 - Detailed Statistics
 - Security
 - Aggregation
 - Loop Protection
 - Spanning Tree
 - IPMC
 - LLDP
 - PoE
 - MAC Table
 - VLANs
 - Diagnostics
 - Maintenance

Port State Overview

The port states are illustrated as follows:

RJ45	State
	Link
	Down
	Disabled

DIAMOND SYSTEMS

[Back to top](#)

◆ Cooling Options

Two cooling accessory options are available: A heat sink provides convection cooling in a low profile, while a heat spreader provides improved conduction cooling for superior high temperature performance in applications where physical contact with the system enclosure is available.





[Back to top](#)

◆ Development Support

A design guide is available with circuit details and other technical information necessary to design a carrier board around the EPSM-12G2F. A development kit is also available including:

- A technical design package (schematics, PCB layout, and Bill of Materials) of our EPS-24G4X carrier board, featuring support for 12 1G ports from the module, PHY for 12 additional 1G ports, dual SFP sockets, LED control logic, and power supply circuit
- CPLD code for status LED control logic
- A complete EPS-24G4X switch with the EPSM-12G2F module installed
- A cable kit
- Free custom branding of the embedded software (logo / color / title only; custom configurations are extra charge)

Contact Diamond Systems for further information and ordering instructions.

