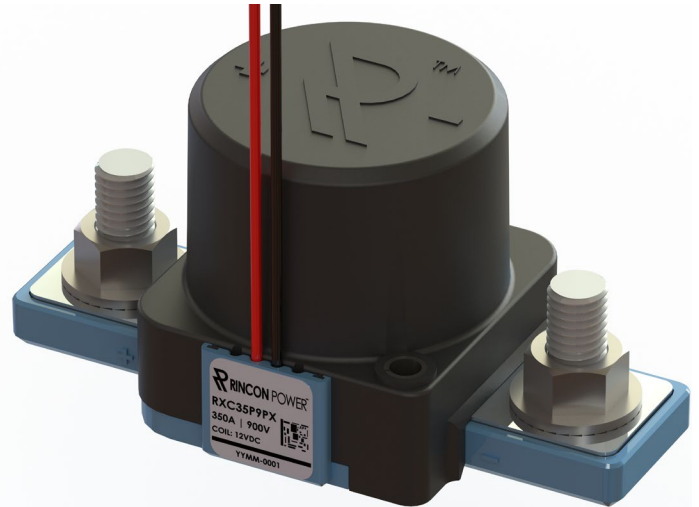


# RXC35 SERIES

## High Voltage Contactors

**350A+** CONTINUOUS DUTY

**1000Vdc** SYSTEM VOLTAGE



### FEATURES

#### SPST Normally Open High Voltage Contactors

- Hermetic seal with gas fill
- Optional auxiliary contacts – for main position feedback
- High temperature performance
- Meets RoHS 2011/65/EU
- Designed and Assembled in US



**PERFORMANCE**

TABLE 1. SPECIFICATIONS		
CHARACTERISTIC	MEASURE	
Contact Arrangement	Form X, SPST NO	
Max Switching Voltage <sup>2</sup>	1,000 VDC	
Dielectric Withstand Voltage (Between Open Contacts and Coil)	2200 VRMS (60 sec)	
(Between Contacts and Coil)	2200 VRMS (60 sec)	
Continuous Current (107mm <sup>2</sup> conductor) <sup>5</sup>	350A	
Overload Current	1 minute	850A
	10 minutes	450A
Make and Break	See table	
Max Short Circuit Current - 20ms	3500 A	
Min Insulation Resistance	100 MΩ @ 1,000V	
Contact Resistance (Max) measured at 200A	0.3 mΩ	
(Typical) measured at 200A	0.15- .25 mΩ	
Operate Time (Max, incl bounce)	25ms	
Release Time (Max)	10ms	
Shock - Functional, 1/2 Sine, 11ms	20G	
Shock - Destructive, 1/2 Sine, 11ms	50G	
Operating Temperature	-45°C to 100°C (175°C Max Terminal Temperature)	
Ingress Protection	Exceeds IP69, (Hermetically Sealed)	
Mechanical life	300,000	
AUXILIARY CONTACTS	MEASURE	
Contact Arrangement	SPST	
Continuous Current	2A	
Minimum Current	5mA @ 8V	
ECONOMIZED DUAL COIL ( 20°C)	MEASURE	
Nominal Voltage	12V	24V
Max Voltage	16 VDC	32 VDC
Pick-up Voltage (Max) <sup>3</sup>	7.5 VDC	15.0 VDC
Drop-out Voltage (Min)	0.6 VDC	1.2 VDC
Pull-in current (max 300ms)	4.3A	1.6A
Holding Current	0.24A	0.09A
Coil Power (pull-in)	46W	38W
Coil Power (Holding)	2.9W	2.2W
Coil Back EMF (V) via internal TVS	150V	150V

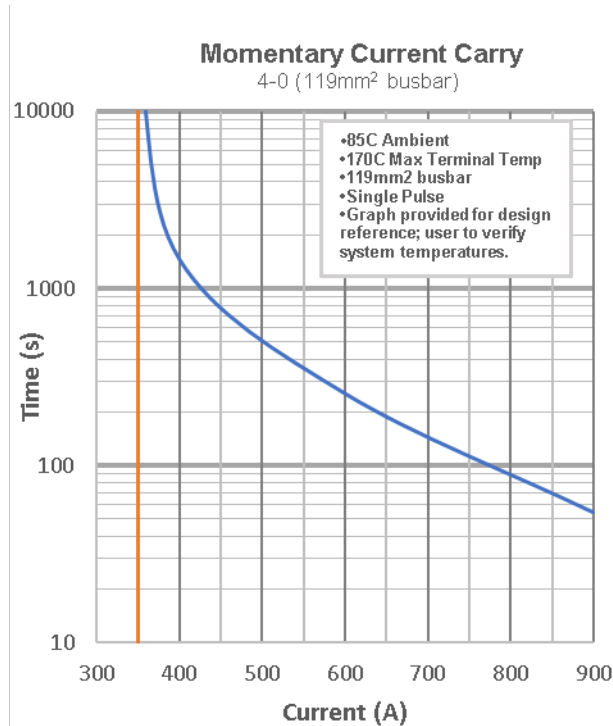


TABLE 2. RESISTIVE LOAD SWITCHING (MAKE / BREAK DATA)		
POLARITY SENSITIVE VERSION		CYCLES (1 cycle = 1 make + 1 break)
VOLTAGE	CURRENT	
450V	350A	2500
800V	300A	1500
750V	400A	BREAK only
320V	-300A	500
750V	50A	12
450V	100A	20,000
		50,000
1000V	350A	300 (BREAK Only)

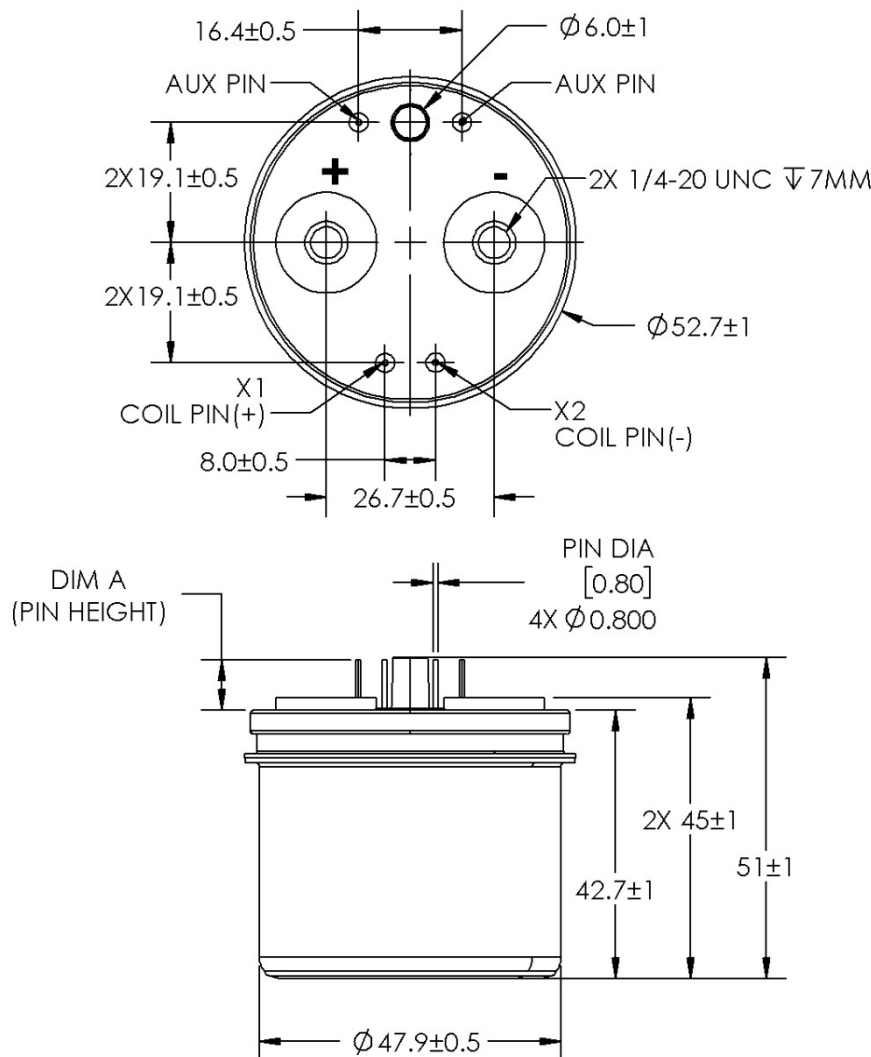
**OPTIONS**

**TABLE 3. PRODUCT NOMENCLATURE**

	CONTACT POLARITY	MOUNTING	COIL	AUXILIARY CONTACTS
RXC35	P Polarity Sensitive	3 PCB Mount	P 12V dual coil (economized)	A Normally Open
		9 Chassis Mount	Q 24V dual coil (economized)	B Normally Closed
				X None

**PRODUCT DIMENSIONS [mm]**

**Mounting Option 3 – PCB Mount**



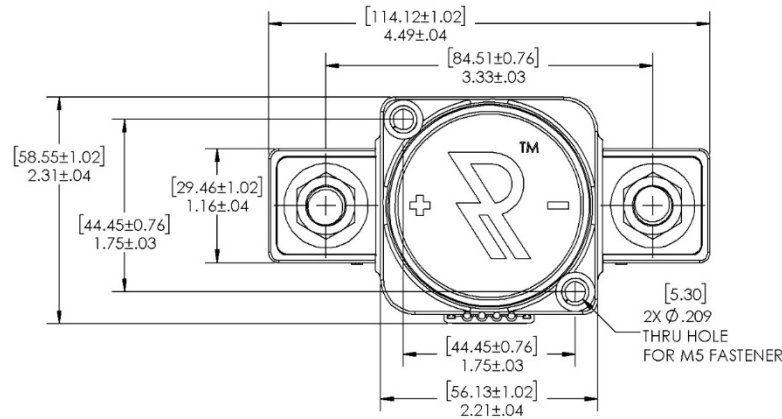
**TABLE 4. DIMENSIONAL AND INSTALLATION PCB Mount**

CHARACTERISTIC	MEASURE
Weight	290g (0.64 lb)
Coil Wire	N/A
Mounting Inserts	N/A
Mounting Position	Any / Not Position Sensitive
Package Quantity	TBD
Install Torque	7 Nm
1/4" – 20	7mm thread engagement
Main Terminals	



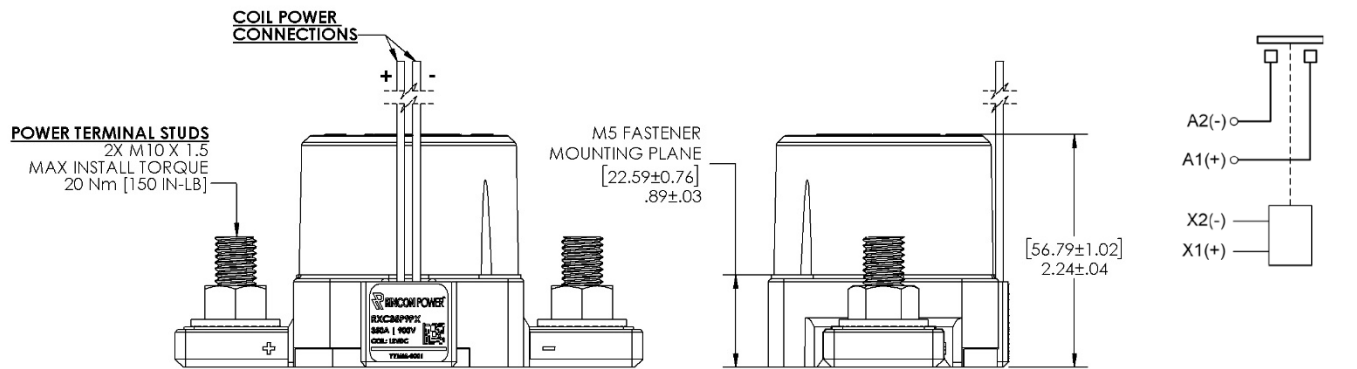
DIM A (PIN HEIGHT)	CONFIGURATION
4X 8.5 mm ±0.5 mm	WITH AUX CONTACTS (A, OR B)
2X 11.2 mm ±0.5 mm	WITHOUT AUX CONTACTS (X)

**Mounting Option 9 – Chassis Mount**



**TABLE 5. DIMENSIONAL AND INSTALLATION**

CHARACTERISTIC	MEASURE
Weight	490g (1.1 lb)
Mounting Inserts	M5
Mounting Position	Any / Not Position Sensitive
Package Quantity	20 pcs
Install Torque M10 x 1.5 Main Terminals	125-150 in-lb. [14-20Nm]
COIL / AUX WIRE	FUNCTION
Black	Coil GND (-)
Red	Coil POS (+)
Grey	Aux COM
Blue	Aux N.O.
Orange	Aux N.C.
Lead Wire Length	15 in [38cm]
Lead Wire Size	20AWG, Stranded
Jacket Material	PVC
UL Ratings	UL 1007, UL 1569



- 3D model available upon request

**NOTES**

1. Attach cables and busbars directly to the main terminal pad using the recommended install torque. Do not use washers or other materials between the contactor power terminals and the conductor.
2. Contactor may be used above Max Switching Voltage if the application does not require significant load breaking. Please contact Rincon Power for more details.
3. Dual coil economizer design: Pickup Voltage must be applied as a pulse. Do not ramp voltage.
4. Integrated coil suppression limits back EMF to 150V.
5. Rigid busbar structures have the potential to induce stress into the device and can damage the hermetic seal. When using busbars, it is important to design compliance into the bus bar structure via the use of flexible laminated busbars and or by means of incorporating adjustability in adjacent bolted interfaces.
6. Polarity Sensitive versions are marked + and - for the power terminals. For applications that require the contactor to switch under load, please ensure current is flowing from the + to the - terminal when breaking/opening under load. For Bi-Directional versions the direction of current does not matter when breaking under load.